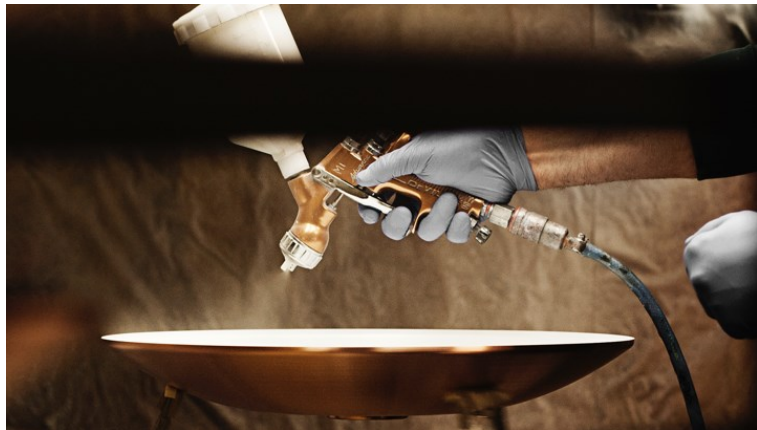


# PH 3-2½ Bollard

The fixture is designed based on the principle of a reflective three-shade system, which directs the light downwards. The shades have a matt white painted interior surface, diffusing the light in a comfortable way.



## Product info

### Information

Earth anchor to be ordered separately. Anchor bolts to be sourced locally.

### Mounting

Terminal block: 1x5x2.5mm<sup>2</sup>. Terminal block positioning: In post. Cable entries: 2x bottom entries Ø 17mm.  
Looping: Approved, max. 5x2,5mm<sup>2</sup>. Post w/base plate for surface mounting: H: 909mm incl. fixture head. Post dia. 32mm.

### Finish

Black, powder coated.

### Materials

Top shade: Spun stainless steel. Middle/lower shade: Spun stainless steel. Shadeholder: Form pressed glass.  
Post: Stainless steel.

### Sizes and weights

Width x Height x Length (mm) | 283 x 909 x 283 Max 3.7 kg

### Class

Ingress protection IP44. Electric shock protection I w. ground.

### Specification notes

The innovation of light sources is ongoing. Consequently we only inform about the max. wattages. On [www.louispoulsen.com](http://www.louispoulsen.com) we update a list of recommendable light sources.

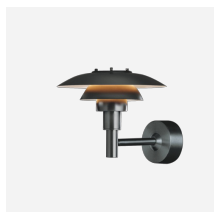
### Light source

1x60W E27

### Information

Earth anchor to be ordered separately. Anchor bolts to be sourced locally.

## Product family

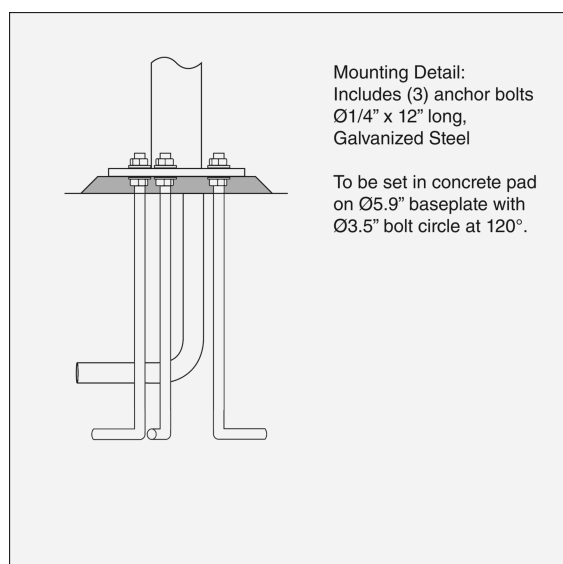


PH 3-2½ Wall

## Product variants

### Light source

1x60W E27



# Design

Poul Henningsen

# Weight

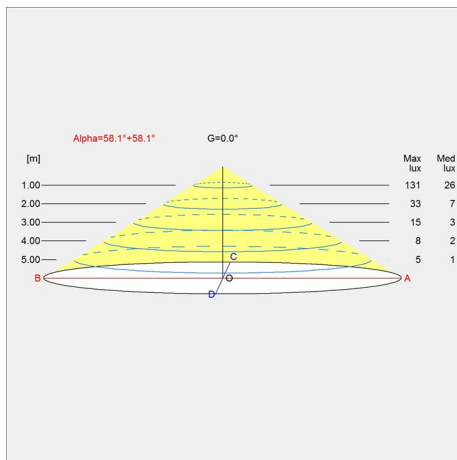
3.657

# Finish

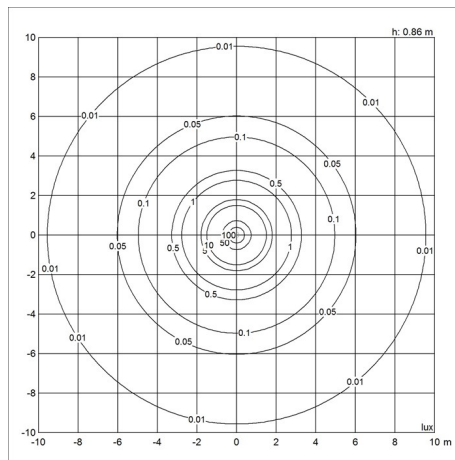
Black

# Light distribution diagrams

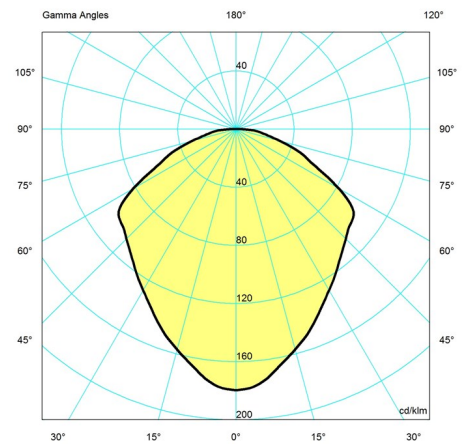
Cartesian



Isolux



Polar



# Spare parts & accessories

**Product**

- PH 3-2½ Bollard/Wal top screws 3 pcs black
- PH 3-2½ Bollard/Wal glass
- PH3-2½ BOL./TOLDBOD BOL.EARTH ANCHOR NEW

**Variant number**

- 5747293405
- 5747293418
- 5747293696